

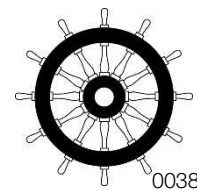
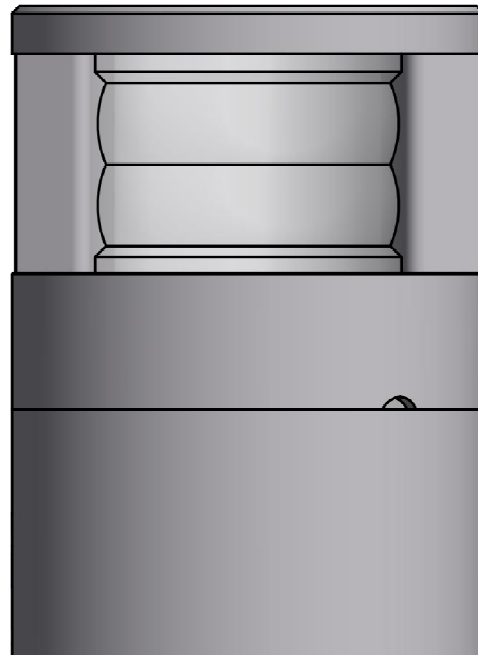
300-138 – 6NM 225° WHITE DOUBLE MASTHEAD LIGHT

The double LED light consists of two (2) individual lights which can be activated separately. One is dedicated as the primary, the other the secondary.

The precision machined 6082 aluminium housing with a hard coated anodized surface makes the light a rugged and durable housing for the LEDs and electronics contained within, and the polished PMMA lens delivers a clear light with colour ranging that is well within the standard for maritime use.

Lastly all the interior is completely filled with a special potting resin making it water- and vibration proof before each light is subjected to final testing for no less than 16 hours of continuous operation bringing the total test period beyond 24 hours.

Lopolight products are covered by a 5-year limited warranty. This warranty covers direct exchange of the malfunctioning product and is given under the assumption that the lights have been operated within the specifications of lights.



Technical specifications

Vessel size: >50m (>164')

Visibility: >6 nautical miles

Intensity: >94 cd

Mounting: Horizontal, see the K-Lock system sheet for options.

Operating voltage: 22 - 32 V DC

Number of LEDs: 6 per light, 12 in total

Light colour: White

Operating temperature: -25°C to +55°C

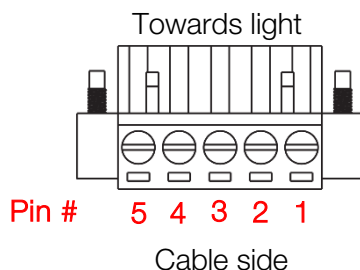
IP Rating: IP68

Power consumption; 13 Watt; Current @ 24 VDC: 0,6A

Connection: 2 M20x1.5 thread borings for cable glands located on the side and the bottom (see drawings for details).

Cabling: 2 cables consisting of 2 x 0,5 mm² leads, a screen and insulation.

- Pin 1 - Red lead = Primary light power
- Pin 2 - Black lead = Primary light GND
- Pin 3 – No lead = Not used
- Pin 4 – Red lead = Secondary light power
- Pin 5 – Black lead = Secondary light GND



Certification: The product is certified by Lloyds (LR) and certificates can be found on www.lopolight.com under certificates.

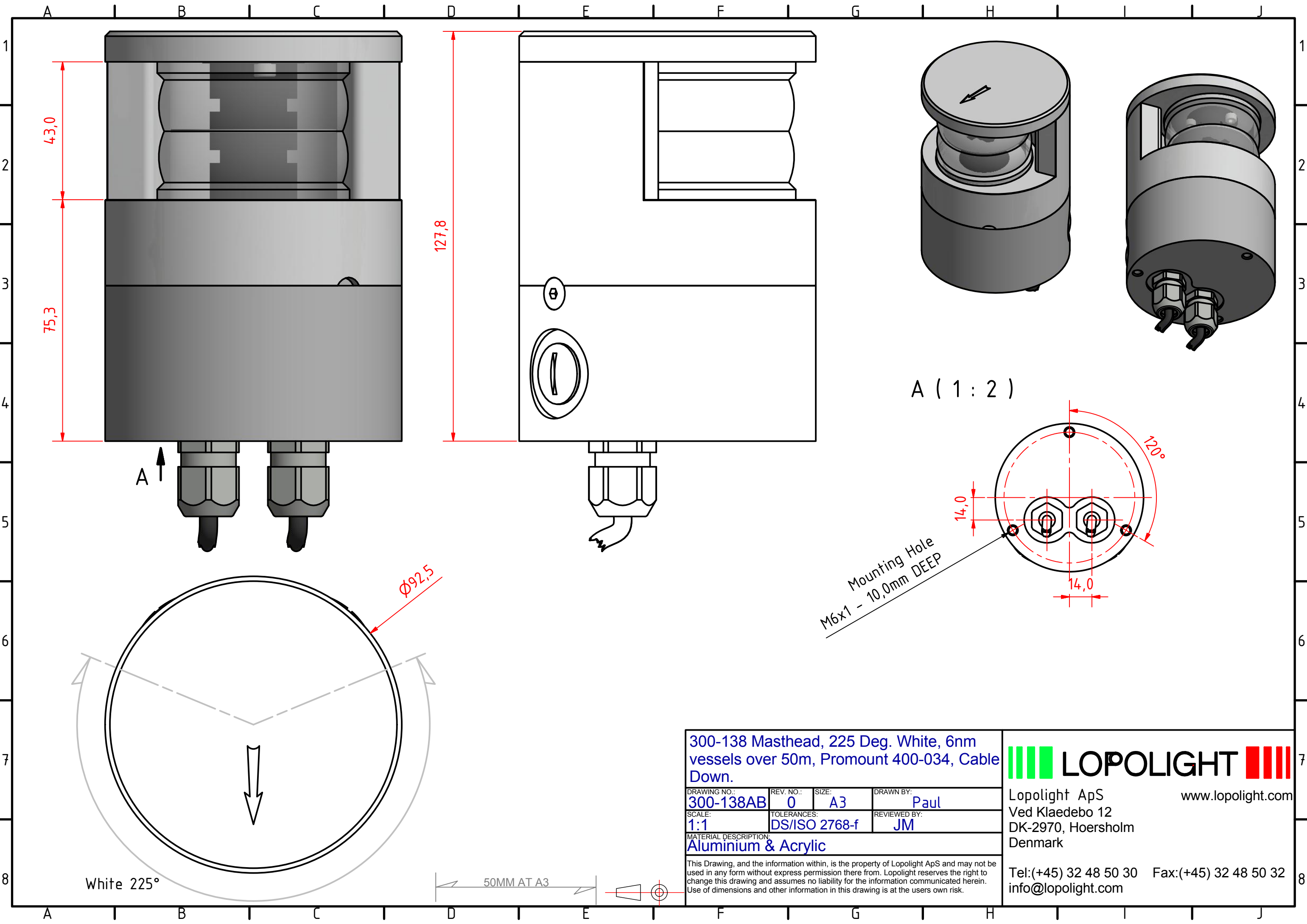
Approvals: COLREG72 / EN14744 / IEC 60945 / USCG / UL1104

Dimensions: See drawing

Weight: 1kg

Included in the standard package:

- 1 Double navigation light on 400-034 aluminium base
- 1 HDPE base plate
- 3 M6x14 screw
- 2 M20x1.5 cable gland (cable diameters 7 – 13mm)
- 2 M20x1.5 blinding cap
- 1 Connector plug, 5 PIN
- Installation instructions



300-138 Masthead, 225 Deg. White, 6nm vessels over 50m, Promount 400-034, Cable Down.

DRAWING NO.: 300-138AB	REV. NO.: 0	SIZE: A3	DRAWN BY: Paul
SCALE: 1:1	TOLERANCES: DS/ISO 2768-f	REVIEWED BY: JM	

MATERIAL DESCRIPTION:
Aluminium & Acrylic

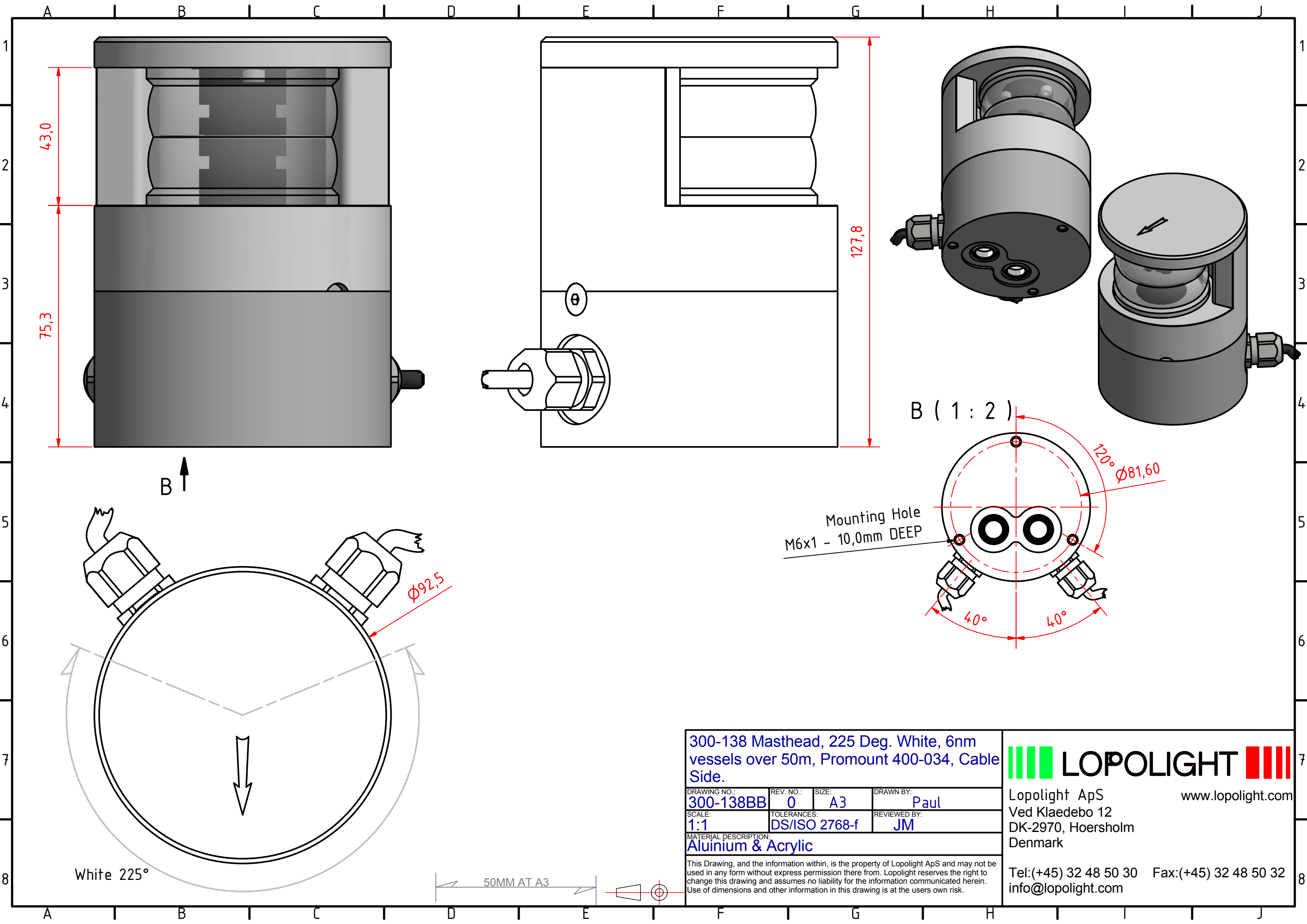
This Drawing, and the information within, is the property of Lopolight ApS and may not be used in any form without express permission there from. Lopolight reserves the right to change this drawing and assumes no liability for the information communicated herein. Use of dimensions and other information in this drawing is at the users own risk.



Lopolight ApS
Ved Klaedebo 12
DK-2970, Hoersholm
Denmark

Tel:(+45) 32 48 50 30 Fax:(+45) 32 48 50 32
info@lopolight.com

www.lopolight.com



300-138 Masthead, 225 Deg. White, 6nm vessels over 50m, Promount 400-034, Cable Side.

DRAWING NO.:	REV. NO.:	SIZE:	DRAWN BY:
300-138BB	0	A3	Paul
SCALE:	TOLERANCES:	REVIEWED BY:	
1:1	DS/ISO 2768-f	JM	

MATERIAL DESCRIPTION:
Aluminium & Acrylic

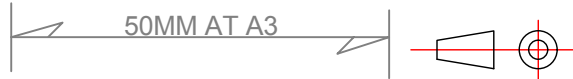
This Drawing, and the information within, is the property of Lopolight ApS and may not be used in any form without express permission there from. Lopolight reserves the right to change this drawing and assumes no liability for the information communicated herein. Use of dimensions and other information in this drawing is at the users own risk.

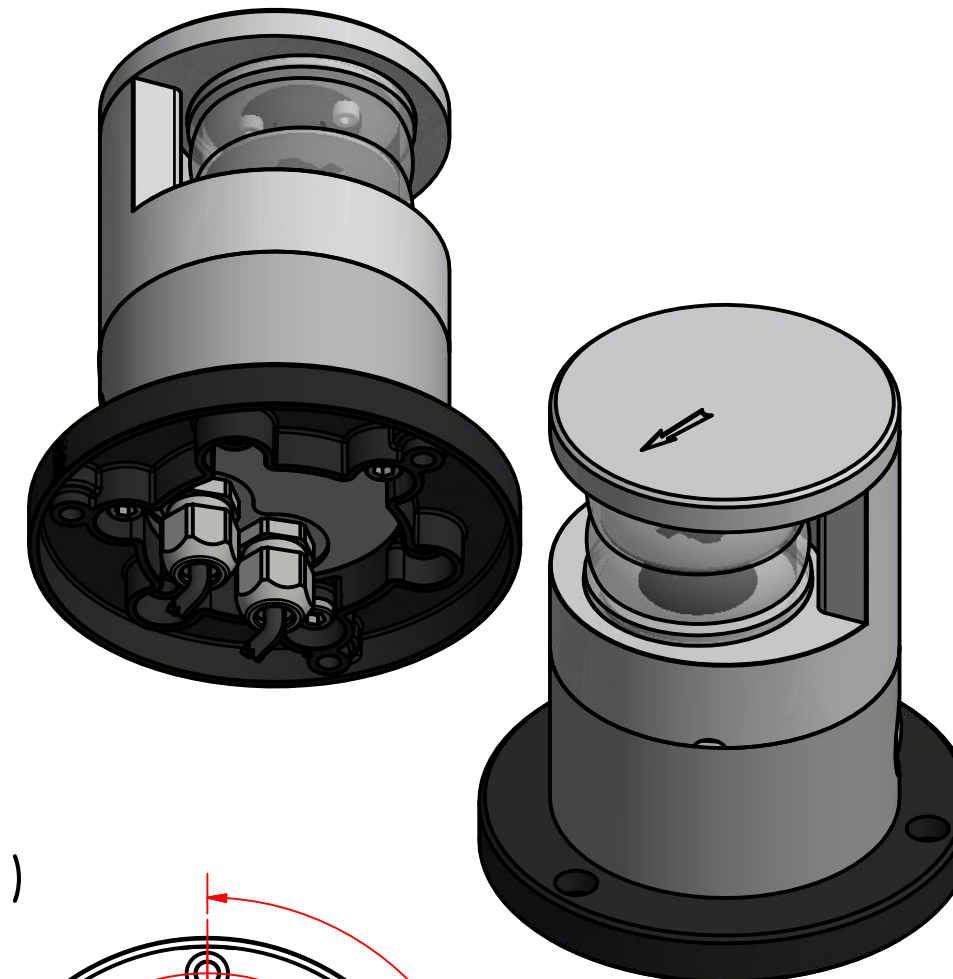
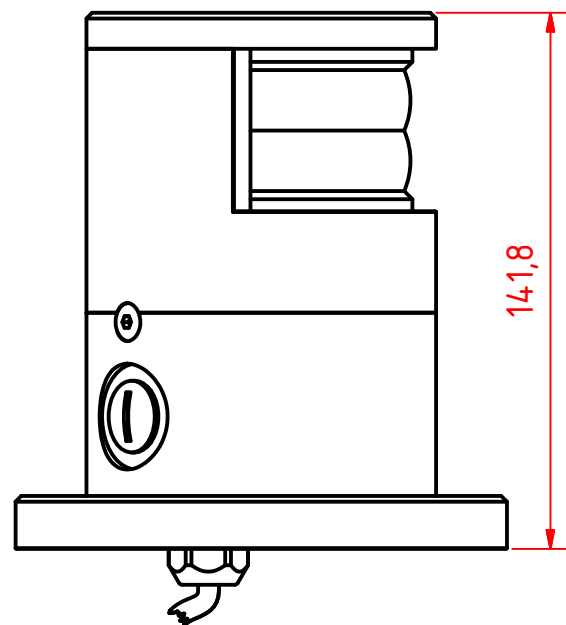
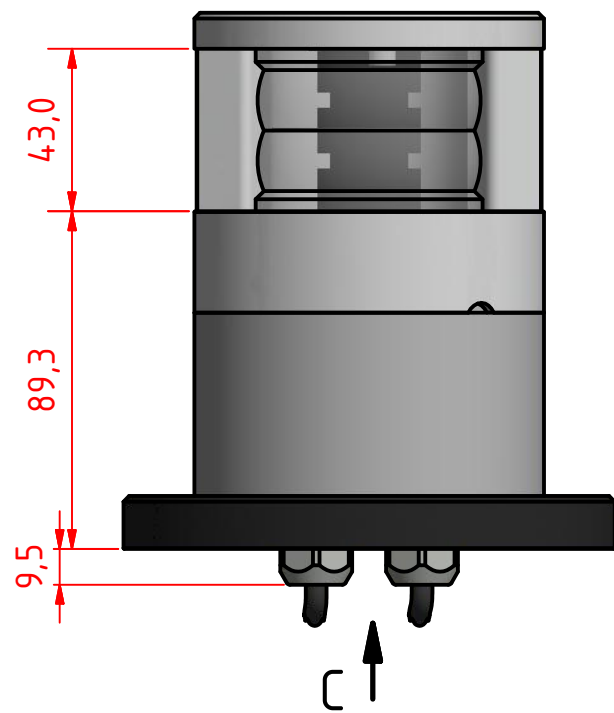


Lopolight ApS
Ved Klaedebo 12
DK-2970, Hoersholm
Denmark

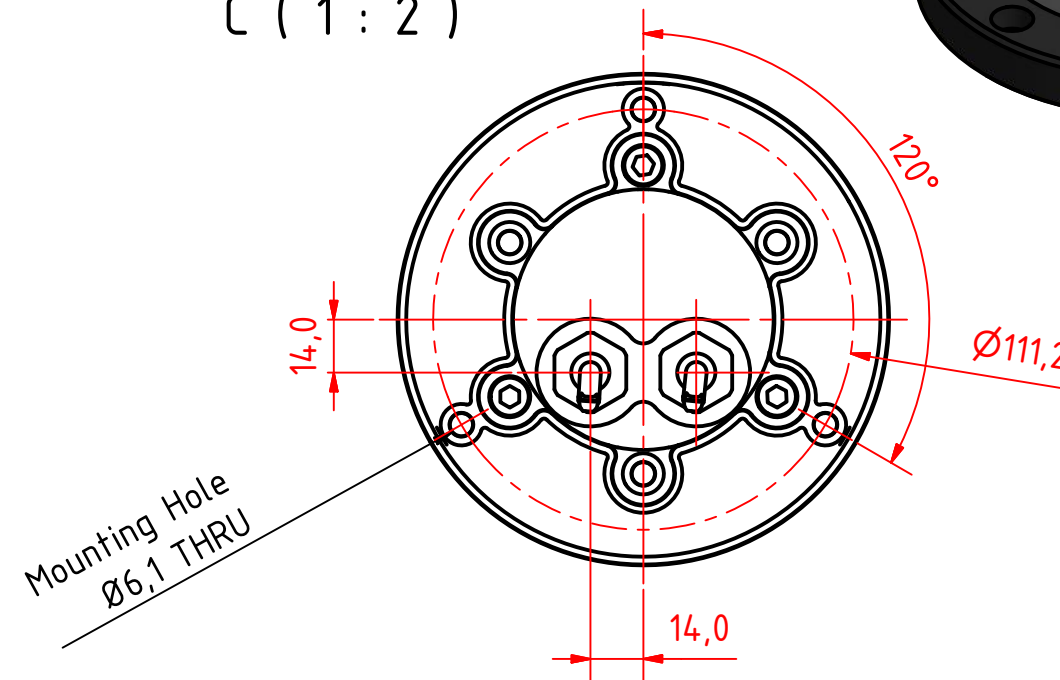
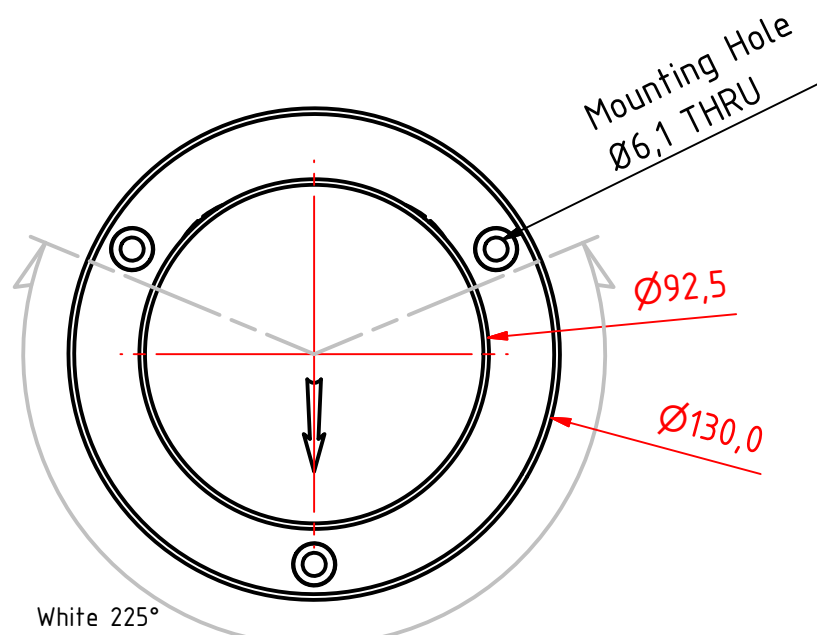
Tel:(+45) 32 48 50 30 Fax:(+45) 32 48 50 32
info@lopolight.com

www.lopolight.com





C (1 : 2)



300-138 Masthead, 225 Deg. White, 6nm vessels over 50m, Promount 400-034, 400-404 PE Base Plate, Cable Down.

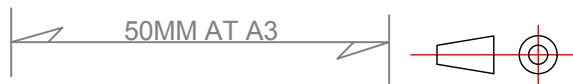
DRAWING NO.: 300-138CB	REV. NO.: 0	SIZE: A3	DRAWN BY: Paul
SCALE: 1:1	TOLERANCES: DS/ISO 2768-f	REVIEWED BY: JM	
MATERIAL DESCRIPTION: Aluminium & Acrylic			
<small>This Drawing, and the information within, is the property of Lopolight ApS and may not be used in any form without express permission there from. Lopolight reserves the right to change this drawing and assumes no liability for the information communicated herein. Use of dimensions and other information in this drawing is at the users own risk.</small>			

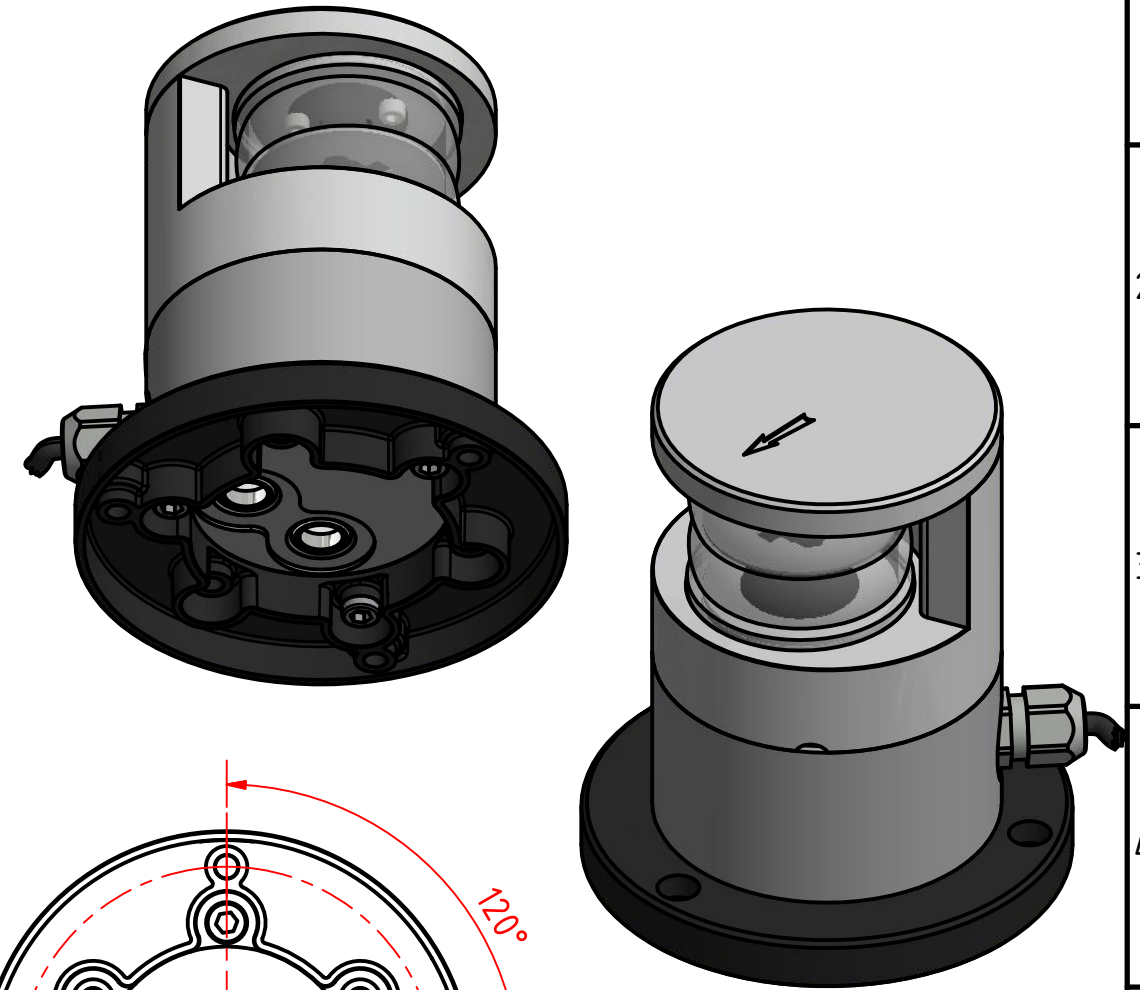
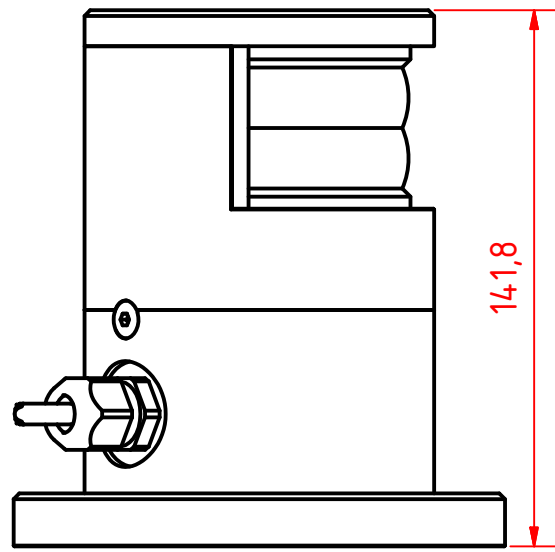
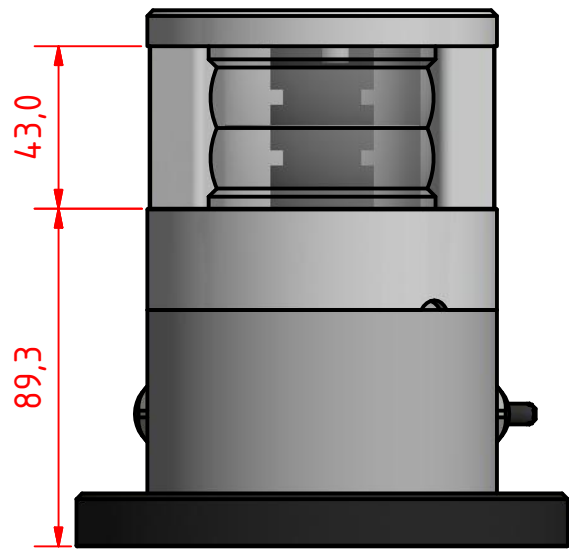
LOPOLIGHT

Lopolight ApS
 Ved Klaedebo 12
 DK-2970, Hoersholm
 Denmark

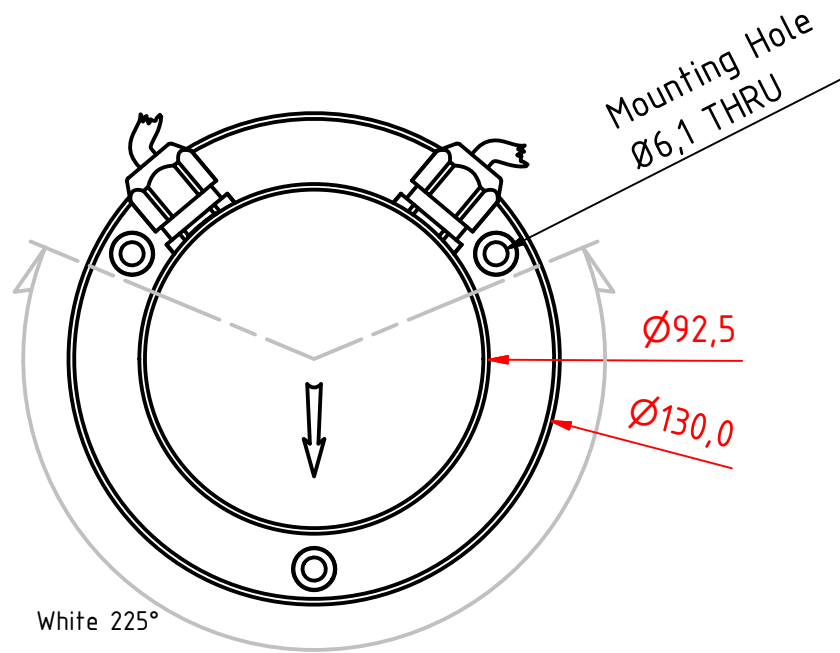
www.lopolight.com

Tel:(+45) 32 48 50 30 Fax:(+45) 32 48 50 32
 info@lopolight.com

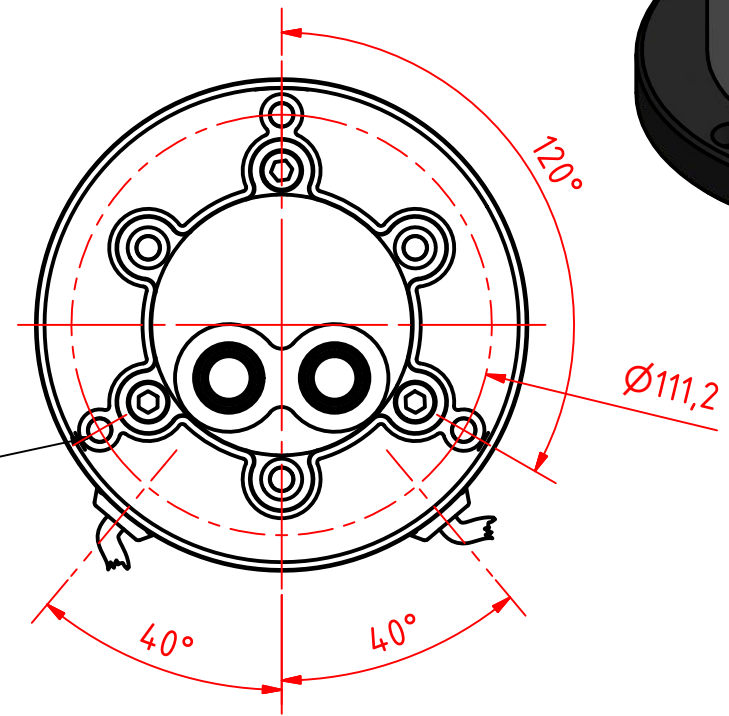




D ↑



Mounting Hole
Ø6,1 THRU



300-138 Masthead, 225 Deg. White, 6nm
vessels over 50m, 400-034 Promount ,
400-404 PE Base Plate, Cable Side.

DRAWING NO.: 300-138DB	REV. NO.: 0	SIZE: A3	DRAWN BY: Paul
---------------------------	----------------	-------------	-------------------

SCALE: 1:2	TOLERANCES: DS/ISO 2768-f	REVIEWED BY: JM
---------------	------------------------------	--------------------

MATERIAL DESCRIPTION:
Aluminium & Acrylic

This Drawing, and the information within, is the property of Lopolight ApS and may not be used in any form without express permission there from. Lopolight reserves the right to change this drawing and assumes no liability for the information communicated herein. Use of dimensions and other information in this drawing is at the users own risk.

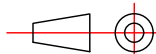
LOPOLIGHT

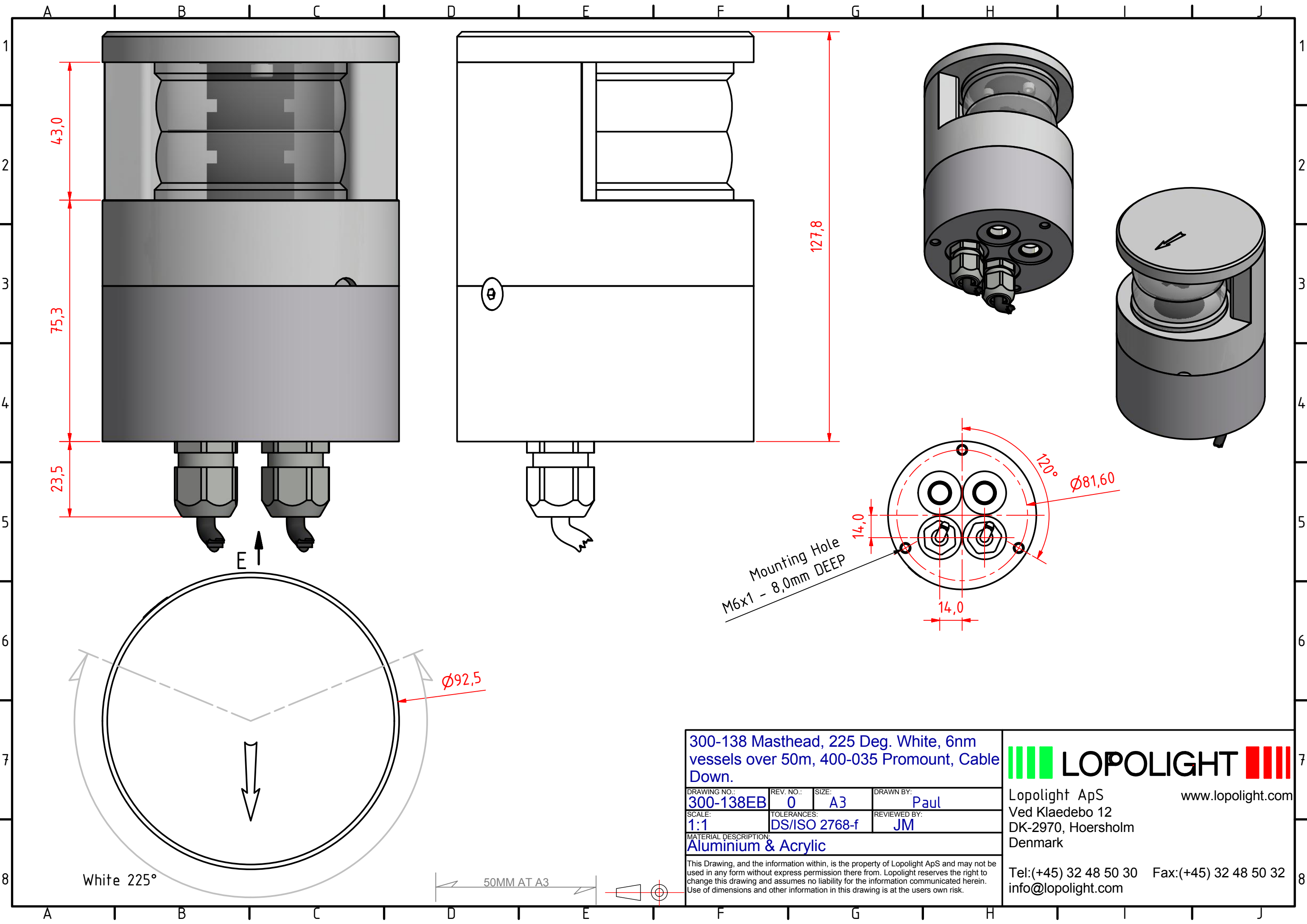
Lopolight ApS
Ved Klaedebo 12
DK-2970, Hoersholm
Denmark

www.lopolight.com

Tel:(+45) 32 48 50 30 Fax:(+45) 32 48 50 32
info@lopolight.com

50MM AT A3





300-138 Masthead, 225 Deg. White, 6nm vessels over 50m, 400-035 Promount, Cable Down.

DRAWING NO.:	REV. NO.:	SIZE:	DRAWN BY:
300-138EB	0	A3	Paul

SCALE:	TOLERANCES:	REVIEWED BY:
1:1	DS/ISO 2768-f	JM

MATERIAL DESCRIPTION:
Aluminium & Acrylic

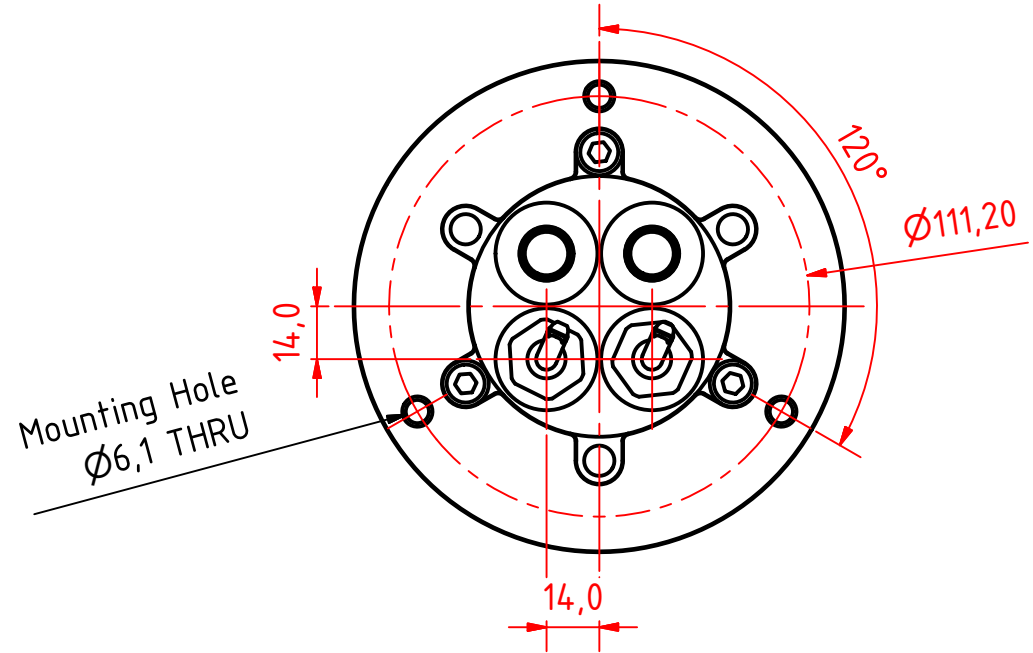
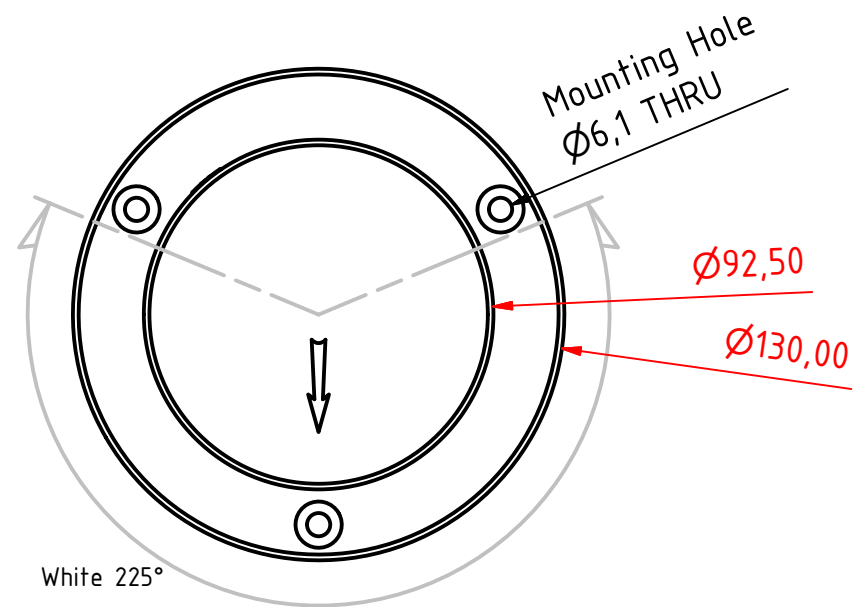
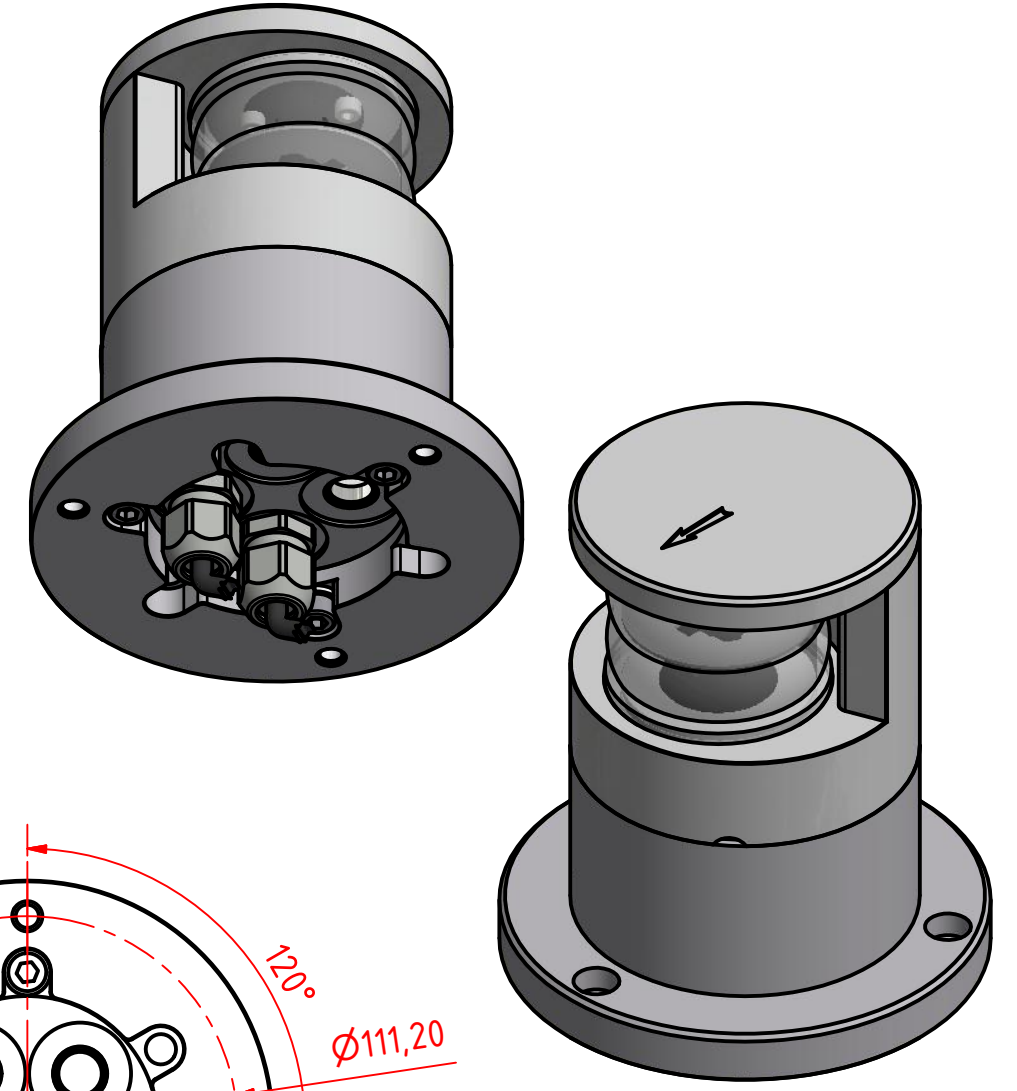
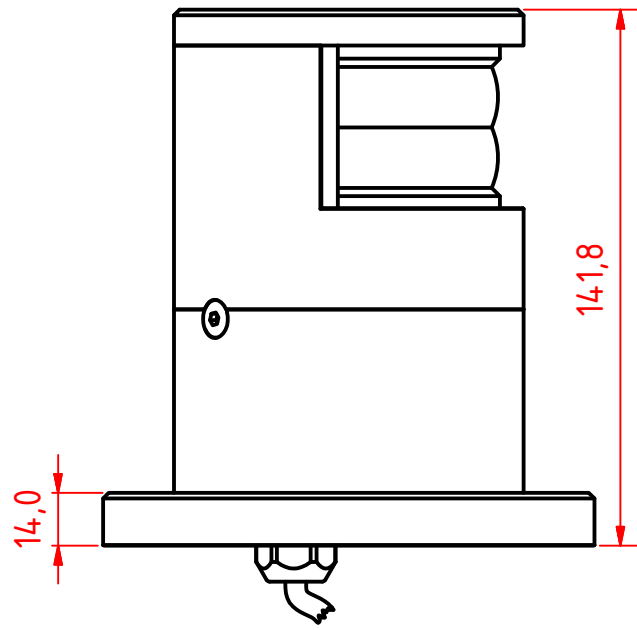
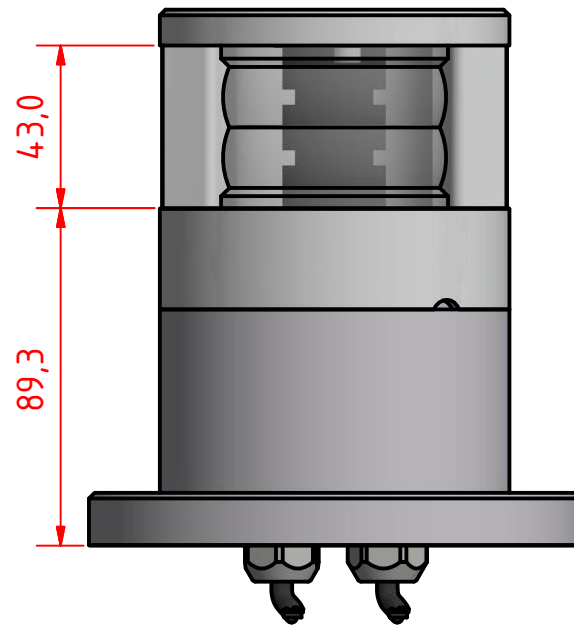
This Drawing, and the information within, is the property of Lopolight ApS and may not be used in any form without express permission there from. Lopolight reserves the right to change this drawing and assumes no liability for the information communicated herein. Use of dimensions and other information in this drawing is at the users own risk.



Lopolight ApS
Ved Klaedebo 12
DK-2970, Hoersholm
Denmark

www.lopolight.com

Tel:(+45) 32 48 50 30 Fax:(+45) 32 48 50 32
info@lopolight.com



300-138 Masthead, 225 Deg. White, 6nm
vessels over 50m, 400-035 Promount ,
400-401 Alu Base Plate, Cable Down.

DRAWING NO.:	REV. NO.:	SIZE:	DRAWN BY:
300-138FB	0	A3	Paul
SCALE:	TOLERANCES:	REVIEWED BY:	
1:2	DS/ISO 2768-f	JM	

MATERIAL DESCRIPTION:
Aluminium & Acrylic

This Drawing, and the information within, is the property of Lopolight ApS and may not be used in any form without express permission there from. Lopolight reserves the right to change this drawing and assumes no liability for the information communicated herein. Use of dimensions and other information in this drawing is at the users own risk.



Lopolight ApS
Ved Klaedebo 12
DK-2970, Hoersholm
Denmark

www.lopolight.com

Tel:(+45) 32 48 50 30 Fax:(+45) 32 48 50 32
info@lopolight.com

